

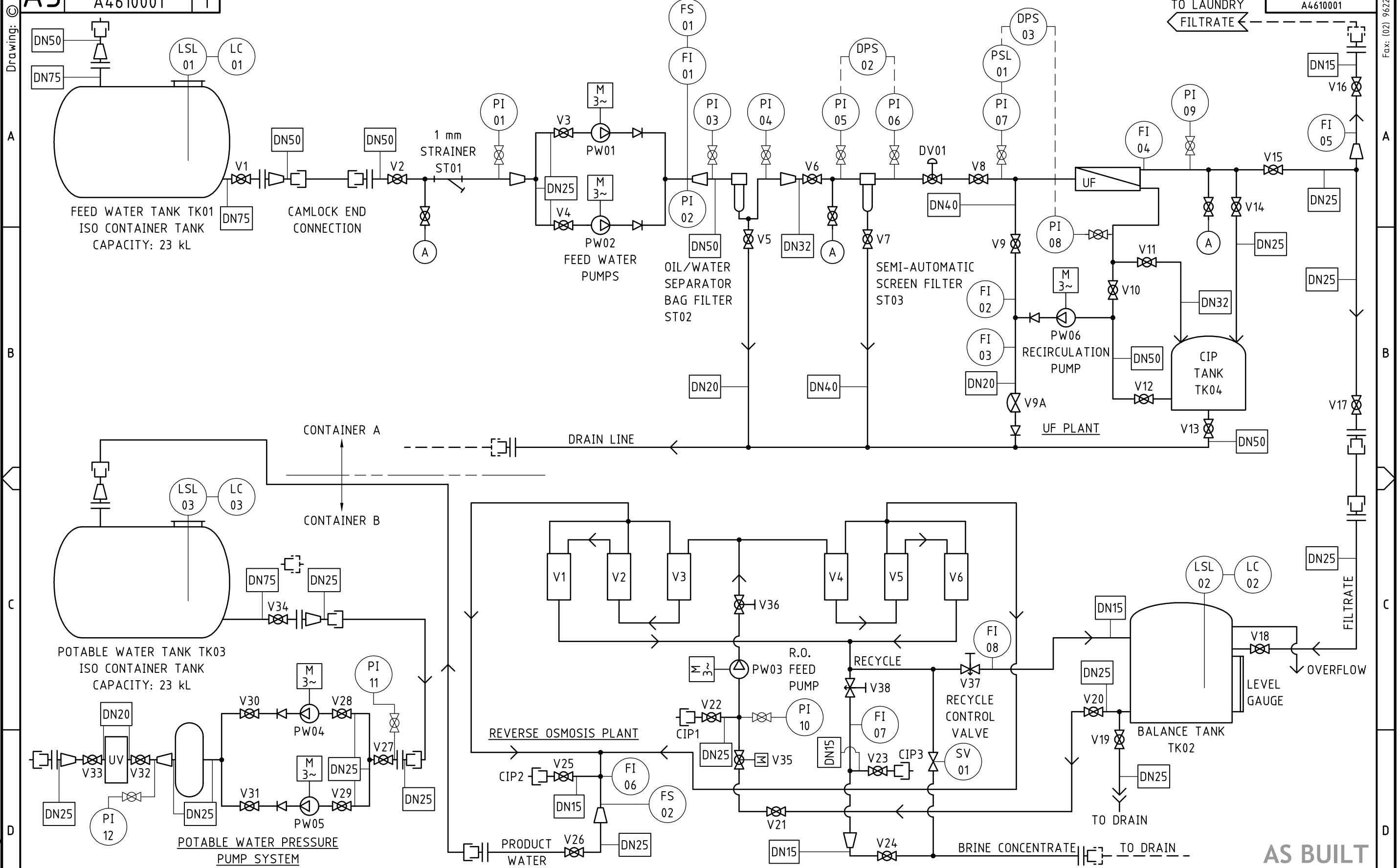
DRAWING No. **A3** A4610001 REV 1

DO NOT SCALE, IF IN DOUBT ASK - DIMENSIONS IN MILLIMETRES U.N.O.



Drawing: © 2010

Fax: (02) 9622 0450



AS BUILT

REV	BY	DATE	A.R.N.	DESCRIPTION
0	W	16-12-04	A4-0085	ORIGINAL ISSUE
1	W	08-02-05	A5-0003	AS BUILT

WAI Engineering
 2 Cumberland Street
 Blacktown, NSW, 2148
 Ph: 0418 203 229 A/H: (02) 9671 5873 Fax: (02) 9622 0450
 e-mail: support@wai.com.au

The information contained on this drawing is subject to Copyright protection. © Copyright WAI Engineering.

DRAWN TO AS 1100	SCALE (A3) N.T.S.
DRAWN W 16-12-04	
CHECKED	
APPROVED	
DESIGN ENG.	

CLIENT / PROJECT
WATER TREATMENT PLANT

TITLE
POTABLE WATER TREATMENT PLANT RIG 2 PROCESS & INSTRUMENTATION DIAGRAM

DRAWING No. A4610001	REV 1
C/CODE CWT-052	A3
JOB No. 101002	
AutoCAD FILENAME A4610001.DWG	

Drawing by WAI Engineering 282 mm

377 mm