

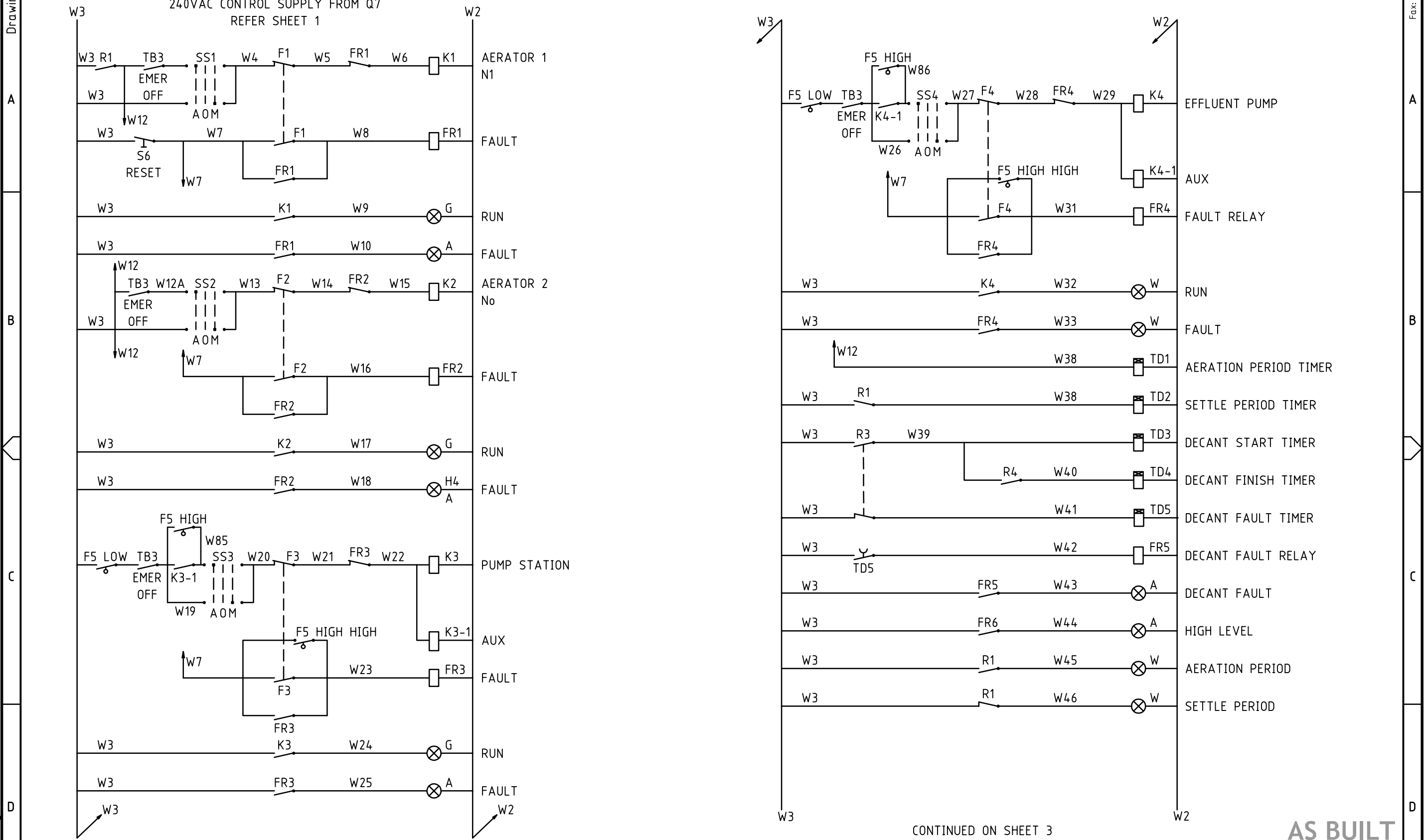
A3 DRAWING No. A4612010 REV 0

DO NOT SCALE, IF IN DOUBT ASK - DIMENSIONS IN MILLIMETRES U.N.O.



Drawing: © 2010

Fax: (02) 9622 0450



CONTINUED ON SHEET 3

AS BUILT

Drawing by WAI Engineering 282 mm

REV	BY	DATE	A.R.N.	DESCRIPTION	WAI Engineering 2 Cumberland Street Blacktown, NSW. 2148 Ph: 0418 203 229 A/H: (02) 9671 5873 Fax: (02) 9622 0450 e-mail: support@wai.com.au	DRAWN TO	SCALE	CLIENT / PROJECT WATER TREATMENT PLANT	DRAWING No.	REV
0	W	18-03-05	A4-0085	ORIGINAL ISSUE		AS 1100	N.T.S.		POTABLE WATER TREATMENT PLANT RIG 2	A4612010
					The information contained on this drawing is subject to Copyright protection. © Copyright WAI Engineering.	DRAWN	W 18-03-05	TITLE	C/CODE	A3
						CHECKED		POTABLE WATER TREATMENT PLANT RIG 2	101002	
					APPROVED		100 EP CONTROLS - SHEET 2	AutoCAD FILENAME		
					DESIGN ENG.			A4612010.DWG		
									FEB 8, 2010, 3:46 PM	