



Drawing: © 2010

Fax: (02) 9622 0450

A

A

B

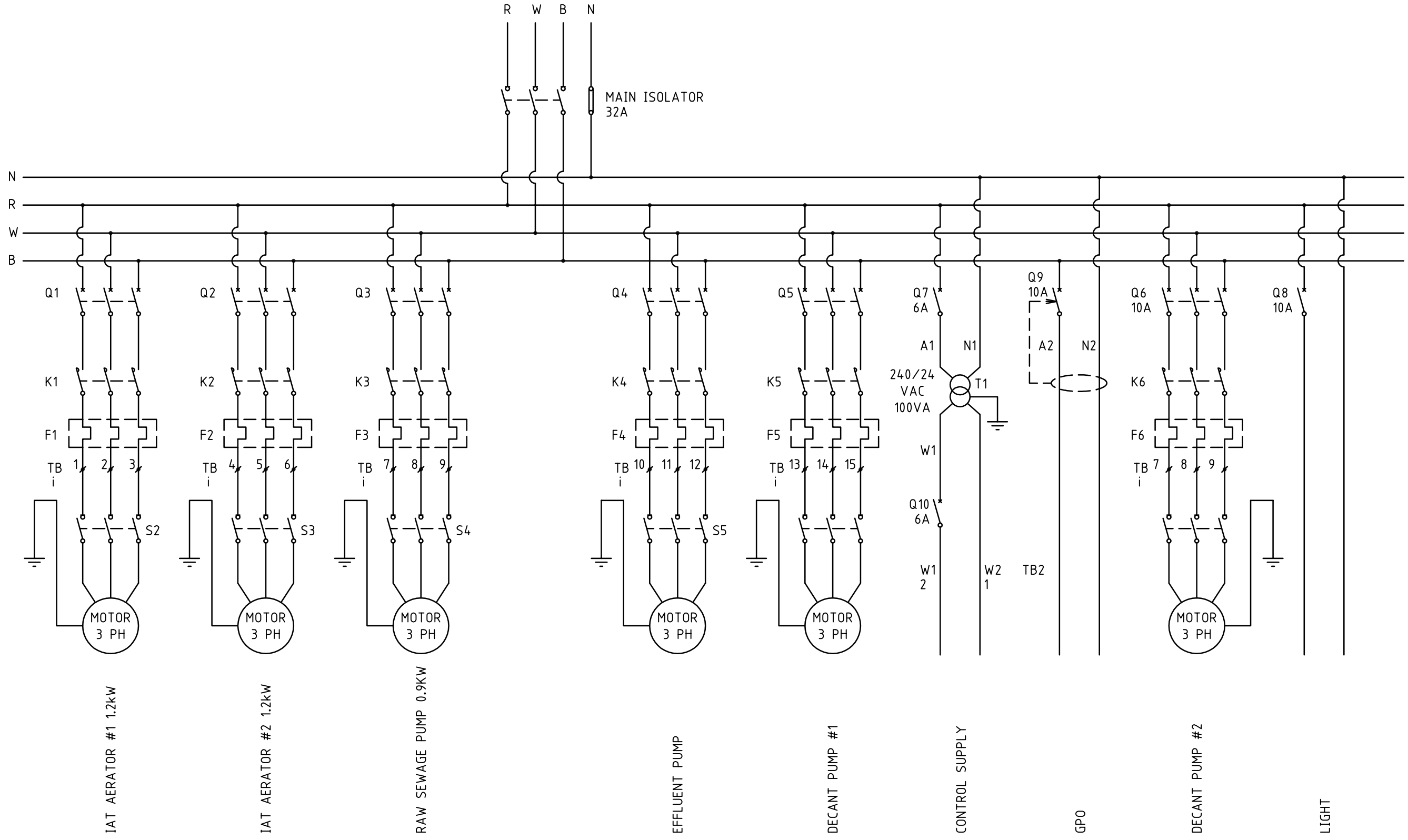
B

C

C

D

D



AS BUILT

REV	BY	DATE	A.R.N.	DESCRIPTION
0	W	18-03-05	A4-0085	ORIGINAL ISSUE

WAI Engineering
 2 Cumberland Street
 Blacktown, NSW. 2148
 Ph: 0418 203 229 A/H: (02) 9671 5873 Fax: (02) 9622 0450
 e-mail: support@wai.com.au

The information contained on this drawing is subject to Copyright protection. © Copyright WAI Engineering.

DRAWN TO AS 1100	SCALE (A3) N.T.S.
DRAWN W 18-03-05	
CHECKED	
APPROVED	
DESIGN ENG.	

CLIENT / PROJECT
WATER TREATMENT PLANT

TITLE
 POTABLE WATER TREATMENT PLANT RIG 2
 100 EP POWER DISTRIBUTION - SHEET 1

DRAWING No. A4612009	REV 0
C/CODE CWT-052	A3
JOB No. 101002	
AutoCAD FILENAME A4612009.DWG	

Drawing by WAI Engineering 282 mm

377 mm

1

2

3

4

5

6